



E2R

Engineering to Reality

E2R-VVE
Engineering to Reality
Specialized in Verify Virtual
Engineering

www.e2r-vve.com
info@e2r-vve.com

E2R Based in El-Obour Egypt
Commercial registry 162758

Engineering and Designing

5 years experience of cumulative multidiscipline the following Engineering services:

- 1.Design basis.
- 2.Piping 3D modelling using any 3d Software.
- 3.Molding of P&ID, equipment's arrangements, electrical and instrumentations
- 4.Piping pressure drop Calculation and Piping stress analysis
- 5.Procurement Engineering assistance (datasheets, RFQ, Vendor evaluation etc)
- 6.As Building (2D to 3D, manual to 2D/3D, Drafting ,Asbuilt etc)
- 7.Process, and process safety Engineering Design (Oil & Gas & Plant)
- 8.Civil and Steel Structural Details Engineering.
- 9.Provide Laser scanning service and conversion the As built data to intelligent 3D model.
- 10.Customization programming for SP3d/Tribon/AM/PDMS
- 11.Software consulting and developing of any info-systems for shipyard, such as ERP, PDM, AVEVA NET etc.
- 12.Manpower Supply Engineers/Designer/ Manager
- 13.Commissioning and start up.

PROCESS & BASIC DESIGN

- Process Simulation Study Report
- Process Selection Technical Note
- Engineering Heat & Material Balances (HMB)
- Process Flow Diagrams (PFDs) and legend sheets
- P&IDs
- Process description and control philosophy
- Emergency & Process shutdown philosophy
- Causes & Effects diagrams
- Basis of Design
- Process Equipment Sizing design and calculation
- Equipment List
- Equipment Data Sheets
- Relief and Blowdown load summary
- General Plot Plan
- Pipeline Sizing Report
- HAZOP Study
- SIL Determination Study

Civil

- Site Survey
- Soil Survey
- Site Development
- Equipment Foundations & Service Supports
- Site Layout Drawings
- Buildings
- Plant Structures.

Structure

- On/Offshore platforms in-service design: Static in-place structural analysis
- Pile analysis
- Dynamic & fatigue analysis
- Earthquake analysis | Ship impact
- Construction support analysis: Lead-out analysis
- Transportation Analysis
- Lifting Analysis
- Floatation & upending Analysis
- Drivability Analysis.

MECHANICAL

- Area Arrangement, Plant Layout & Equipment Location
- Participation in HAZOP Reviews | Insulation Specification
- Preparation of Painting Specifications | Nozzle/Piping Loads | Preliminary Dimensional/Weight Information
- Preparation of Mechanical Equipment Specifications & Data Sheets | Purchasing | Construction Support
- Review of Supplier Data & Liaison with Mechanical Equipment Suppliers | Equipment List/Motor List.

Piping

- Piping Input to Engineering Plan
- Area Arrangements, Plant Layouts & Equipment Location
- Piping & Equipment Plant Design
- Piping Specification
- Design & Requisitioning of Piping Materials
- Pipe Stressing Activities
- CAD Preparation of PFDs and P&IDs
- Piping Schedules

Electrical

- Electrical Equipment | Motors | Instrument Power Supplies | Control Panels | Alarms, Trips and Sequence Interlocks | Cable Trenches | Cable Tray | Preparation of Single Line Diagrams | Preparation of Motor Drive Documents | Preparation of Cabling Documents
- Light & Power | Layouts | Preparation of Switchboard Layouts | Preparations of Technical Specifications & Data Sheets

1. Gas compressors plant
Khalda petroleum company
KPC Herneufer West EPF
Rental triple units
Compressor From NEXT
Petroleum company

E2R scope

1. GA
2. P&ID
3. Triple units Layout and Isometric.
4. Next battery limit piping ISOs (Suction, Discharge, Blowdown, Air and drain lines), Installation plan
5. Battery Limit PID (Only one XSV on suction header inlet flange and one XSV on discharge header flange will be installed).
6. F&G system components datasheets.
7. HAZOP

2. Cairo west power station thermal super critical subcontracted by Chinese company China Energy JEPCC1

E2R scope

- Access platforms design for :
 - 1) Circulating pumps
 - 2) Condensate pumps
 - 3) Feed water pumps BFWP and its turbine drive
 - 4) BEPT exhaust DUCTs A&B SUPPORTING
 - 5) Foam guns monitors access platforms of farms of Mazout and solar tanks
 - 6) Piping valves and instrumentations
- E2R provide 3D, detailed design and stress analysis notes

Taaheel Environment Company

Taaheel, a recycling company based on Jubail, Saudi Arabia.

Taaheel is part of

Inkan Group

2020

Current projects

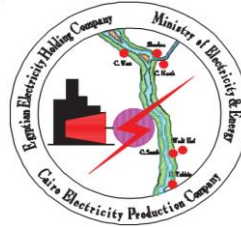
Engineering design for waste water treatment plant feed phase includes:

1. Heat and mass balance
2. process flow diagram
3. P&IDs
4. Design basis and process description
5. Equipment BOM and Data Sheets

Now we are in bidding phase to award a detailed engineering phase includes mechanical, civil, electrical, process and instruments disciplines scope precommissioning and commissioning activates then he scope cover the followings 3D layout of the evaporator structure with arrangements of the different equipment, piping and structure specifications, Mechanical design and engineering of the heat exchangers, which should provides details such as design pressure and temperature, corrosion allowance and MDMT. Vessels complete mechanical engineering. Issue preliminary datasheet with dimensions, from the process engineering scope. Material selection of the heat exchangers, vessels and piping. The necessary specifications to purchase the pumps, such as head and MOC. The process scope covers only the flowrates. For instruments, valves (ex. control valves), to provide the necessary specifications to purchase these items. The mechanical scopes should provide "issued for construction" drawings, and the ISO drawings for piping. The detailed engineering should be computable with the process design, and assure the performance per the process design

We have brilliant stuff doing all the related activities for Construction Supervision, precommissioning, Commissioning and startup for all oil and Gas projects including the preparation of all required procedures and method of statements.

CP 118
CP 106

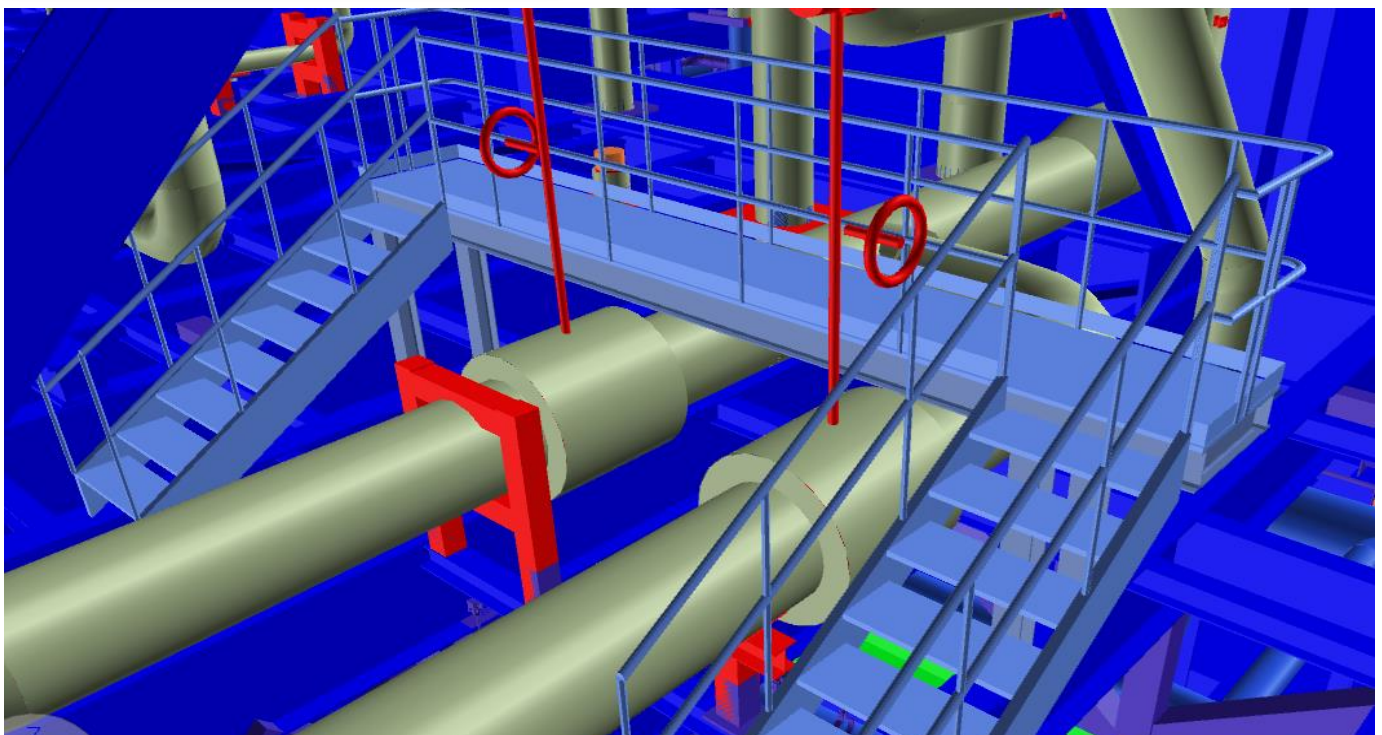


CAIRO WEST SUPERCRITICAL POWER STATION
1x650 MW

CP 106 SUBCONTRACTED
KAHROMIKA SUB DOOSAN
SCOPE MSV Stress Analysis

E2R won the trust of one of the world's largest companies in power generation projects, At 8/10/2019 , **E2R** signed a P.O. (consultancy and designs works) for Cairo west Power Stations thermal supercritical 1x650 MW

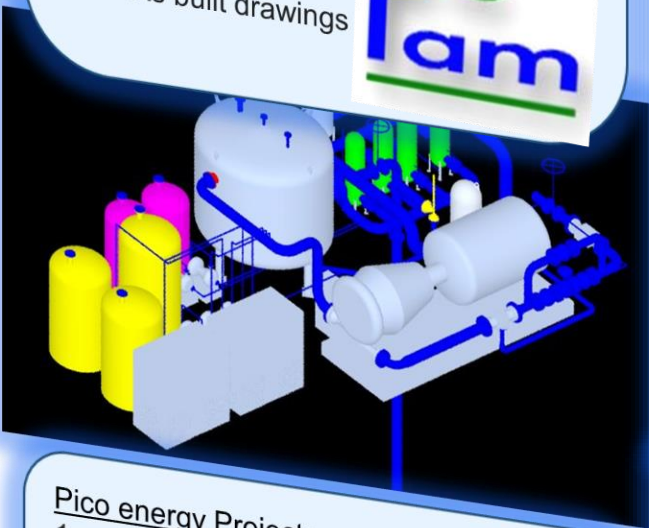
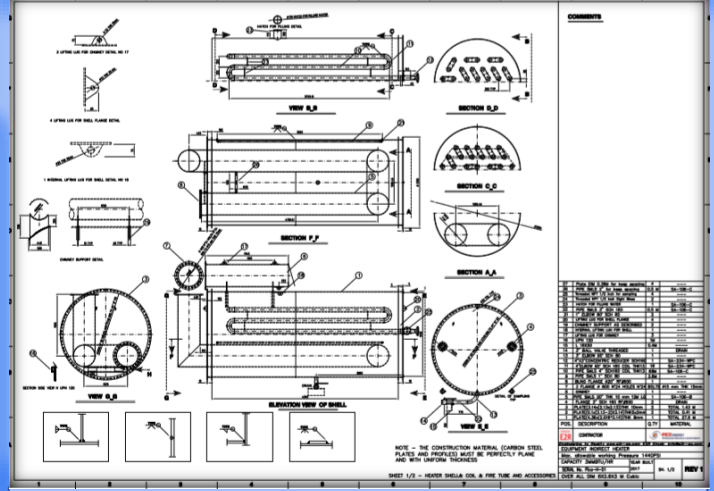
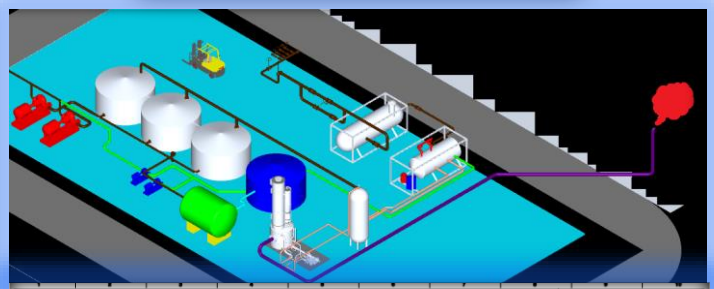
Project CP-118 with Chinese International Company Energy China - JEPCC1



2018 Achievements

Tam Oil Projects achievements 2018

- Petrobel Pet. Co. (MWP-4) WATER INJECTION UNIT subcontracted Tam
1. 3D model for water injection unit
 2. Issue GA drawing & Process flow diagram (PFD).
 3. Issue isometric drawing & bill of materials
 4. P&ID for plant.
 5. Plant plot plan.
 6. As built drawings



Pico energy Projects achievements 2018

1. 3D model for production oil facility
2. Oil separator Mechanical drawing..
3. Indirect Heater Mechanical drawing



E2R Engineering Consultants (Cairo, Egypt) & Enprox Overseas Limited (Halifax, Nova Scotia, Canada), signing the framework agreements of Project Engineering and Management Consultancy. The signing ceremony took place in the presence of Mr. Antar Mustafa Director of E2R, and the President Director of Enprox Overseas Limited Mr Khaled Ibrahim. This agreement entered into on this First day of Jan 2019.

Antar Mohamed Mustafa Salama
Managing Director of E2R

Khaled S. Ibrahim
Managing Director of Enprox Overseas Limited

Certificate of work completion

To whom it may concern

We PICO Energy " Petroleum Services and Investments in Egypt " herewith declare that E2R Engineering to Reality company had carried out all detailed drawings of project : **Equipment Indirect Heater Serial No. 003** and all designs drawings of E2R of **Equipment Indirect Heater Serial No. 003** approved for PICO Energy and accepted for PICO Energy client: **KPC Khalda Petroleum Company** , because E2R design according to the related standard ASME PVC Pressure Vessel Code .

This certificate has given to E2R upon his request without on responsibility to PICO Energy
Given this at 15th of February 2018 at PICO Energy Cairo, Egypt

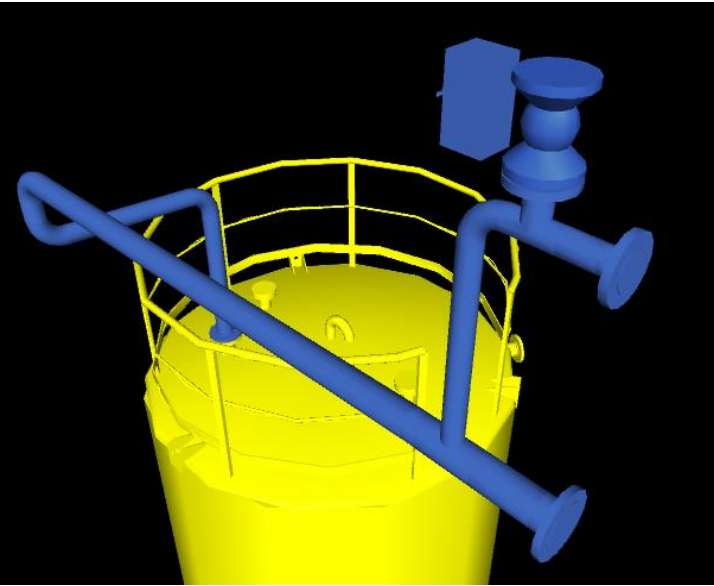
Eng. Hassan Ali
SWT-Technical Support Manager

Hassan Ali



Pico
Projects & Certificat

PIPING ISOMETRIC DESIGN WORKS for PROJECT (Glucose plant) of Al-Masirah International Industrial Investment (AMI) Company in Saudi Arabia at Yanbu Western Province



Before 2018

EGOR

NOTES

ALL DIMENSIONS ARE IN MILLIMETERS

ITEM	QTY	DESCRIPTION	BY
101	1	NEW 1000 X 1000 X 1000 SS 304	10/10
102	1	NEW 1000 X 1000 X 1000 SS 304	10/10
103	1	NEW 1000 X 1000 X 1000 SS 304	10/10
104	1	NEW 1000 X 1000 X 1000 SS 304	10/10
105	1	NEW 1000 X 1000 X 1000 SS 304	10/10
106	1	NEW 1000 X 1000 X 1000 SS 304	10/10
107	1	NEW 1000 X 1000 X 1000 SS 304	10/10
108	1	NEW 1000 X 1000 X 1000 SS 304	10/10
109	1	NEW 1000 X 1000 X 1000 SS 304	10/10
110	1	NEW 1000 X 1000 X 1000 SS 304	10/10
111	1	NEW 1000 X 1000 X 1000 SS 304	10/10
112	1	NEW 1000 X 1000 X 1000 SS 304	10/10
113	1	NEW 1000 X 1000 X 1000 SS 304	10/10
114	1	NEW 1000 X 1000 X 1000 SS 304	10/10
115	1	NEW 1000 X 1000 X 1000 SS 304	10/10
116	1	NEW 1000 X 1000 X 1000 SS 304	10/10
117	1	NEW 1000 X 1000 X 1000 SS 304	10/10
118	1	NEW 1000 X 1000 X 1000 SS 304	10/10
119	1	NEW 1000 X 1000 X 1000 SS 304	10/10
120	1	NEW 1000 X 1000 X 1000 SS 304	10/10

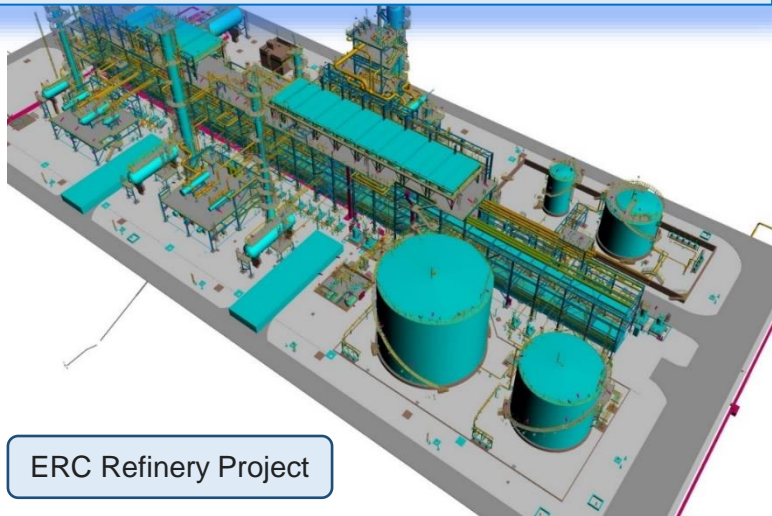
مقدمه السيداتكم ، إدارة العمارة الدولية
 عاتق محمد مصطفى سلامة
 مدير عام E2R مصر

Briefly , E2R 2018 Achievements Projects Oil & Gas companies in Egypt, Al Masirah International in Saudi Arabia and an engineering services agreement with a Canadian company

Implemented projects Before 2018

Egyptian Refinery Plant in Mostorod
 Pipe Isometric Reviewer

El Ain El Sokhna supercritical thermal
 power plant 2x650MW
 Veolia water , PSP
 Pipe Support Designer



ERC Refinery Project

1. Engineering Document validation
2. Construction Supervision including punch list and advise tickets
3. Precommissioning and commissioning for all project equipments including Pumps, Compressors, Vessels and towers
4. Special activities as chemical injections and catalyst loading
5. Refinery plants start up and normal operations activities



Pipesupport

Certificates & Clients



Cairo in 01/07/2009.

TO WHOM IT MAY CONCERN

Dear Sirs,

This is to certify that Eng. Antar Mohamed Mustafa Salama has been working in ABB Power Systems & Automation Technology-S.A.E as Piping Engineer for Oil & Gas projects of Khaldia Petroleum Company in Egypt from 01/07/2007 to 30/05/2009. During the period from 01/07/2007 till 30/05/2009 Eng. Antar was working through outsourcing company (International Business Service)

He has proved to work successfully during his working period and was well accepted by his colleagues.

This certificate was issued upon his request without any obligation or commitment from our part.

Best Regards,

HR Department

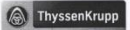
Chadri Fahmy



However due to the merger of ABB Power Systems & Automation Technology into ABB

Electrical Industries (ABB ARAB), the letterhead of ABB Electrical Industries (ABB ARAB) has been used for this notification

Uhde Engineering Egypt
إحدى الشركات مصر



Uhde Engineering Egypt S.A.E. 61, Mostafa Refaat St., Cairo

Your ref.:
Our ref.: 2011/017
Title: HR Specialist
Name: Alaa Shoaha
Direct tel: +202-22602881-1033
Direct fax: +202-22602881
E-Mail: Alaa.Shoaha@thyssenkrupp.com

07.06.2012

Reference letter

Subject: Proof of Employment

To: Whom It May concern

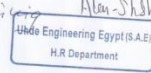
This is to certify that Mr. Antar Mohamed Mustafa Salama was employed by Uhde Engineering Egypt in the capacity of Piping Engineer from 27th December 2011 to 31st May 2012. During this period, Mr. Antar performed his duties and responsibilities to the entire satisfaction of the management. He has shown a good cooperative attitude towards his Supervisors and his colleagues. We would like to extend our gratitude to Mr. Antar for his hard work and dedication through out his tenure with the company and wish his the best of luck for his Endeavour.

Sincerely,

Michael Beining
Commercial Director

Alaa Shoaha
Human Resources Specialist

Dr. Seif El-Din



Uhde Engineering Egypt S.A.E.
61 Mostafa Refaat Street - Sheraton Helipole Area,
Cairo, Egypt
Phone: +202 2260 2881 (2088), Fax: +202 2260 2881
E-mail: info.ue@thyssenkrupp.com
Internet: www.uhde-engineering-egypt.com

Executive Board: Mr. Erik Steen, Mr. Michael Schumacher
Commercial register: Cairo, No. 1362
Bank ID-No.: ArabBCEG001, New City Branch, Cairo
Swift Code No.: ARABEG33001, Account No.: 8008-189874-427

EXPERIENCE CERTIFICATE	Code NO : K20/F/53 Issue No: 1
-----------------------------------	-----------------------------------

Date: 17/4/2015 التاريخ: ٢٠١٥ / ٤ / ١٧

To Whom It May Concern إلى من يهمه الأمر

This is to certify that Eng. / Antar Mohamed Mustafa Salama who has been an employee of the Power System Projects company (PSP)-Cairo, Egypt since September 2012 till ended the tasks assigned to him on April 2014.

تتسبب شركة مشروعات نظم القوى بأن المهندس / عنتر محمد مصطفى سلامة كان يعمل لديها خلال الفترة من سبتمبر ٢٠١٢ إلى أن انتهت الأعمال الموكلة اليه في أبريل ٢٠١٤.

Eng. / Antar Mohamed Mustafa Salama was holding the title of Mechanical Design Engineer on project El-Sokhna CP-111 till ended the tasks assigned to him on April 2014.

وقد كان المهندس / عنتر محمد مصطفى سلامة يعمل لدى الشركة بوظيفة مهندس تصميمات - ميكانيكا على مشروع الوحدة CP-111 التي أن انتهت الأعمال الموكلة اليه في أبريل ٢٠١٤.

This certificate was given to him upon his request without any obligation on Power System Projects Company (PSP).

وقد أعطيت له هذه الشهادة بناء على طلبه لتقديمه إلى من يهمه الأمر بدون أي مسؤولية على شركة مشروعات نظم القوى.

إدارة الموارد البشرية

Human Resource Dept.

The **EVRMac**

Hereby certifies that Eng. Ant Mohamed Mustafa has been employed by the "EVRMac" on 05 / 04 / 2009. In the post of Piping Design Engineer Using "Plant Design Management System - PDMS Program" and up to the date of submitting his resignation.

شهادة
بأن عنتر محمد مصطفى من أندر "إيفرماك" بتاريخ 05 / 04 / 2009 في وظيفة مهندس تصميمات - ميكانيكا باستخدام برنامج Plant Design Management System

The relationship between Eng. Ant Mohamed Mustafa and the "EVRMac" was terminated by virtue of his resignation on 03 / 04 / 2010.

المهندس / عنتر محمد مصطفى بركة إيفرماك "بوجوه الإنشائية" في 05 / 04 / 2010.

"EVRMac"

Hereby certifies that Eng. Ant Mohamed Mustafa during the term of his employment always performed his duties to the satisfaction of his superiors.

المهندس / عنتر محمد مصطفى بركة خلال مدة عمله أديا أديا بتمامه طوال مدة عمله.

This is a declaration free on attesting to the above.

إعنا بذلك

Name: Khaled Omar علاء عمر

Capacity: Managing Director المدير العام

Signature: [Signature]

Date: [Date]

INITEC Energia
EGYPT Branch
Tel: (+202)22678604/09
Fax: (+202)22678618
11,12 Mostafa Refaat - Sheraton Area

TO WHOM MAY BE CONCERN

This is to certify that:

Mr. Antar Mohamed Mustafa Salama

Worked in position piping design engineer in power station projects implemented by the INITEC Energia company inside and outside Egypt using software PDMS

Duration

From: 2010-04-07

To: 2011-07-15

INITEC Energia
Mr. Javier Ruiz
Egypt Branch Manager



Egyptian Refining Company (ERC) S.A.E
Mostorod, Arab Republic of Egypt

GS Engineering & Construction

JICON EGYPT

JICON International

TO : WHOM IT MAY CONCERN

This is certify that Mr. Antar Mohamed Mustafa Salama is employed by JICON Egypt branch of JICON International based in south Korea in position: technical office piping engineer from November of 2014 to March 2015. In Mostorod Refinery Project ERC Egyptian Refinery Company, subcontracted by GS Engineering & Construction. During this period Mr. Antar performed his duties and responsibilities to the entire satisfaction of the management. The JICON Company wish his the best of luck for his endeavor

تتسبب شركة جيكون مصر وهي فرع من جيكون العالمية ومقرها كوريا الجنوبية بأن السيد/ عنتر محمد مصطفى سلامة كان يعمل لديها مهندس مكتب فني بقسم الأنابيب بمشروع مصافي مسطرد للتابع للشركة المصرية للتورول من نوفمبر 2014 إلى مارس 2015 وجيكون تعمل مقاول من الباطن للمقال الرئيسي GS Engineering & Construction. تتسبب جيكون أن السيد/ عنتر كان يقوم بمسؤولياته حازما على رضا رؤسائه. شركة جيكون تمنى للسيد/عنتر حظا سعيدا في مساعده.

Egypt branch manager
Dong Kyoung Ok



Uhde

ThyssenKrupp

Egyptian Refining Company

الشركة المصرية للتكرير



PICO ENERGY

PETROLI FILM SERVICES & INVESTMENTS

JICON International

GS

ELSEWEDY ELECTRIC

